

MINISLATE® interlocking slate



Minislate Slate Grey on Crowndale Developments in Buckingham.

The aesthetic appeal of natural slate with the benefits of an interlocking tile

- 20 x12 slate appearance when laid
- Fibre-free composition
- Fixed as simply as conventional interlocking tiles
- Hidden fixings, including tile clip
- Full range of Dry Fix systems available
- Kitemarked to BS EN 490:2002
- Patented product
- 60 year Product Integrity Guarantee

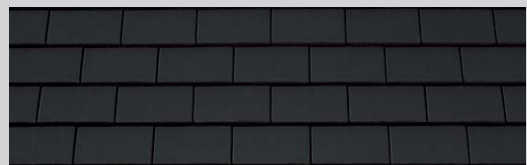
Available in 3 colours



Welsh Blue



Slate Grey



Black

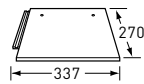
Guarantee

The colour of Minislate will change with natural weathering, but the integrity of the tile carries a 60-year Product Integrity Guarantee from date of supply, subject to the company's normal terms. Forticrete Roofing Products' policy is one of continuous improvement and the Company reserves the right to change specifications and designs at any time without notice. **Where an exact colour match is critical, you are advised to view actual tile samples.**

Minislate® tile dimensions and specifications

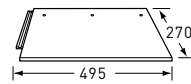


Overall Length:
Hanging Length (L_h):
Overall Width (w):
Cover Width (Cw):
Mass (approx):
Free Vent Area:



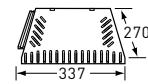
Minislate

270mm
243mm
337mm
316mm
2.8kg
-



Universal slate and half

270mm
243mm
495mm
470mm
4.3kg
-



Lo-vent slate*

270mm
243mm
337mm
316mm
0.6kg
7855mm²

Note: Bonded double slates are available on request. *Registered design No. 20966577

Designation:
T - EN490 - IL - 0 - RF - 316 - / - / - 243 - 2,8

Minislate® standard fixing specification

The exposure, location, and complexity of the roof will determine the tile fixing specification. Site specific fixing specifications are available on request from the Technical Department.

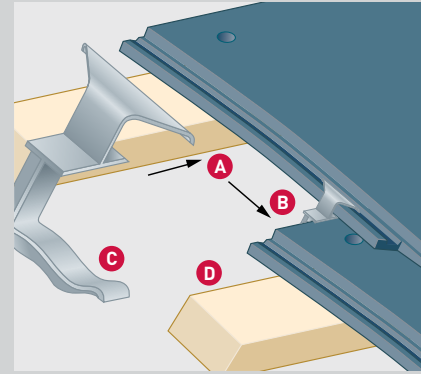
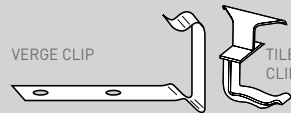
- All slates are nailed
- Nail size 45mm x 3.35mm - Smooth or Ring shank aluminum nail depending on the site exposure
- Batten size: 38 x 25mm for rafter spans up to 450mm, 50 x 25mm for rafter spans up to 600mm
- It is a minimum requirement that the second course up from the eaves should also be secured with a Minislate® slate clip as shown in Fig 1. Slate clipping may be required depending on the site exposure

- All verge tiles should be fixed with a Minislate® Verge Clip unless using Minislate® individual Dry Fixed Verge Units
- Small cut sections of unsupported slate should be replaced with cut slate and halves
- Forticrete recommends the use of positive ventilation in roof spaces in accordance with BS 5250:2002
- All perimeters of the roof should be clipped

Forticrete recommends the use of dry vented ridge in conjunction with eaves ventilation to control the level of condensation above and below the underlay.

Fig 1: Fixing of Minislate® Clip:

The Minislate® Clip is not mechanically fixed to the batten, but clips on to the slate interlock (at point A). The clip is then slid down (to point B) and the curved underlock (C) locates under the back of the tile below (D).



Mortar Free Dry Fixed Products - other accessories:

Dry Fixed Ridge, Low Vent Tiles (Flush Fitting), Dry Fixed Verge, Eaves Vent packs, Dry Fixed 1/3 Round Hip, Tile Clips, Dry Fixed Bonnet Hips, Verge Clips, Dry Fixed Mitred Valley, Tile Replacement Clip

Pitch	Headlap	Batten spacing	Batten required	Tiles required	Mass (approx)
22.5° - 29.5°	80mm min 95mm max	190mm max 175mm min	5.26 lin m/m ² 5.70 lin m/m ²	16.6/m ² 18.1/m ²	47kg/m ² 51kg/m ²
30° - 70°	75mm min 95mm max	195mm max 175mm min	5.13 lin m/m ² 5.70 lin m/m ²	16.3/m ² 18.1/m ²	45kg/m ² 51kg/m ²

Note: All leadwork should be installed in accordance with BS EN 12588:2006 and information supplied by the Lead Sheet Association.

Working procedures, safety & general precautions

Tiles should be fixed in accordance with BS 5534:2003. Forticrete recommend that fixers of all slates and tiles regard the products as fragile as stated in BS8000:Pt6:1990 Section 5. During installation of the products, the correct setting out and working procedures should be employed to avoid walking directly on to products which have been fixed or are on any completed area of a roof. Should it be necessary to gain access via the roof where battens of adequate strength cannot be used as footholds, this should not be attempted without the use of adequate protection to the tiles or slates including the required number of crawling boards, ladders and cat ladders.

Please note that where there is a change of pitch, packing may be required between crawling boards, cat ladders and the surface of the tiles or slates to avoid damage to the product. Fixers should note that Forticrete do not recommend the practice of cutting tiles or slates in-situ. Other information can be obtained from the Health and Safety in Roof Work publication HSG33 and in the 'Working on Roofs' publication INDG284. Reference should also be made to the Forticrete Technical Literature and Fixing Instructions.

Order your **MINISLATE®** from:

Approved stockist

Minislate® Roofing Systems & Technical enquiries:

Forticrete Limited,
Boss Avenue, off Grovebury Road,
Leighton Buzzard, Beds LU7 4SD

Tel: 01525 244900

Fax: 01525 850432

E-mail: roofing@forticrete.com

Information on the complete range of Forticrete products can be found on the Internet at www.forticrete.co.uk

Forticrete and Minislate are registered trademarks of Forticrete Ltd.
CRH is a registered trademark of CRH plc.

The information contained within this publication is as accurate as possible at the time of going to press. However, this document does not form part of any contract and Forticrete cannot accept liability for any errors or omissions.

In order to maintain its position as a market leader, Forticrete operates a policy of continuous product development and therefore reserves the right to alter specifications without notice.

© Forticrete Ltd. 2011.



Mixed Sources
Product group from well-managed forests, controlled sources and recycled wood or fibre
www.fsc.org Cert no. TT-COC-02619
©1996 Forest Stewardship Council